



## Ford Transit Connect 2019-Up

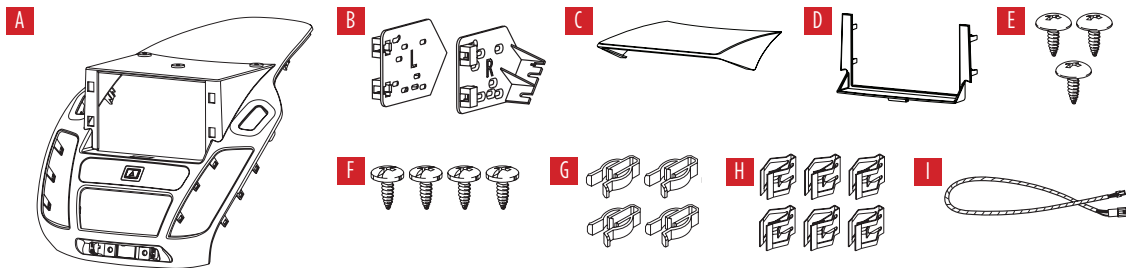
Visit [MetraOnline.com](http://MetraOnline.com) for more detailed information about the product and up-to-date vehicle specific applications

### KIT FEATURES

- ISO DDIN radio provision
- Textured

### KIT COMPONENTS

- A) Radio trim panel • B) Radio brackets • C) Hood • D) Trim panel • E) #8 x 3/8" Truss-head Phillips screws (3)
- F) #8 x 3/8" Pan-head Phillips screws (4) • G) White plastic panel clips (4) • H) Metal panel clips (6) • I) Hazard switch harness



### TABLE OF CONTENTS

Dash Disassembly .....	2-3
Kit Preparation .....	4
Kit Assembly .....	5

### WIRING & ANTENNA CONNECTIONS (sold separately)

Wiring Harness: Visit [metraonline.com](http://metraonline.com) for audio/video and steering wheel control interface options.  
Antenna Adapter: 40-EU55

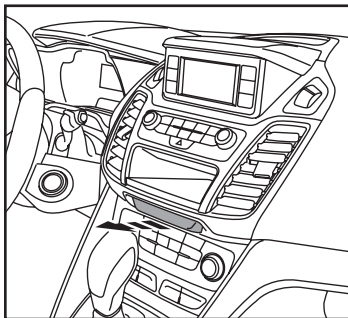
### TOOLS REQUIRED

- Panel removal tool • Torx drivers
- Socket wrench

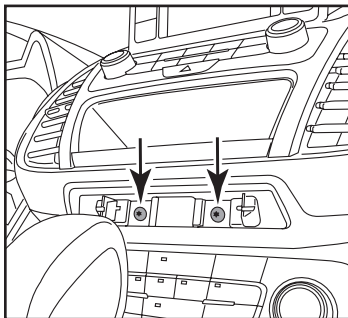
**Attention!** With the key out of the ignition, disconnect the negative battery terminal before installing this product. Ensure that all installation connections are secure before cycling the ignition to test this product.

## DASH DISASSEMBLY

1. Unclip and remove the passenger air bag light at the bottom of the radio panel. (Figure A)
2. Remove (2) T-20 Torx screws behind passenger air bag light. (Figure B)



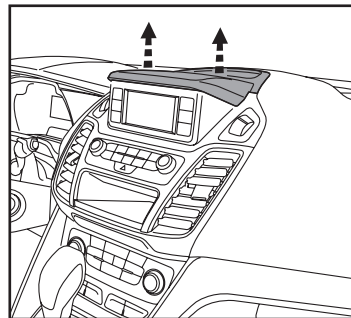
(Figure A)



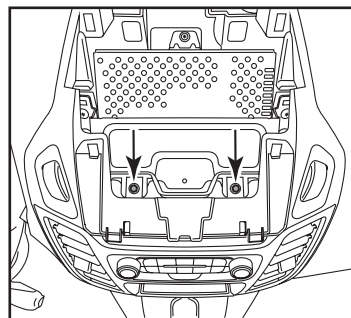
(Figure B)

3. Unclip and remove the trim panel on the top of the radio panel. (Figure C)
4. Remove (2) 7 mm bolts under trim panel on top of radio panel. (Figure D)

*Continued on the next page*



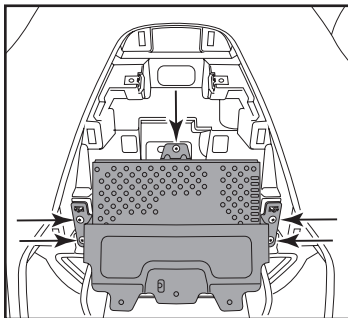
(Figure C)



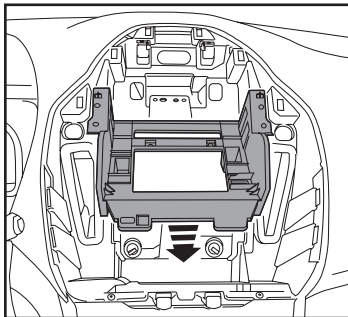
(Figure D)

## DASH DISASSEMBLY (CONT.)

5. Remove (5) T-20 Torx screws securing the radio chassis to the sub dash then remove the chassis. (Figure E)
6. Remove the radio chassis bracket from the sub dash. (Figure F)



(Figure E)

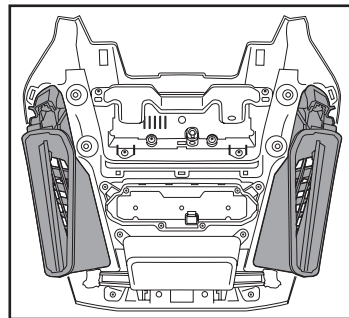


(Figure F)

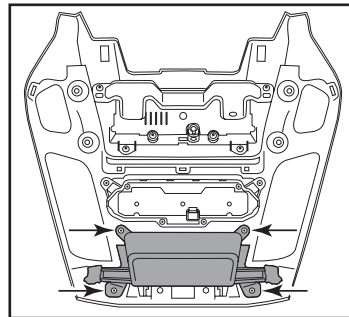
### From the factory radio panel:

7. Unclip and remove the a/c vents. (Figure G)
8. Remove (4) Philips screws securing the pocket then remove the pocket. (Figure H)

*Continue to Kit Preparation*



(Figure G)

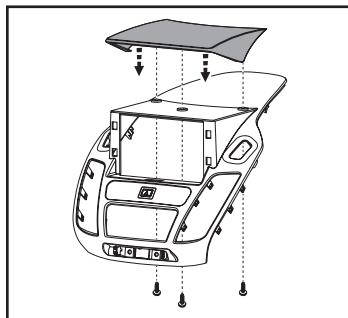


(Figure H)

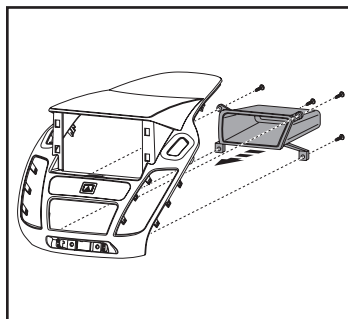
## KIT PREPARATION

### To the 95-5861 radio panel

1. Secure the top panel using the (3) #8 x 3/8" Truss head Phillips screws provided.. (Figure A)
2. Secure the factory pocket using (4) #8 x 3/8" Pan-head Phillips screws provided. (Figure B)



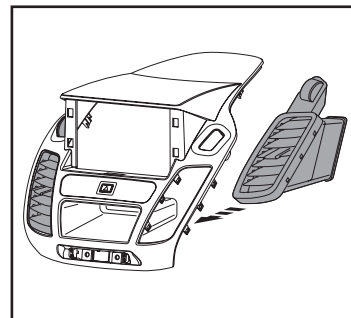
(Figure A)



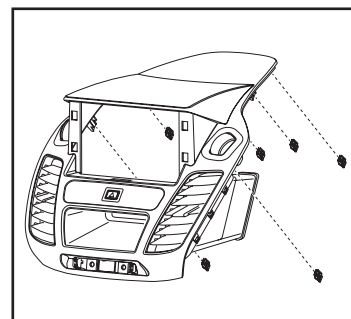
(Figure B)

3. Snap in the a/c vents (Figure C)
4. Install the (6) factory panel clips or use the (6) metal panel clips provided. (Figure D)

*Continue to Kit Assembly*



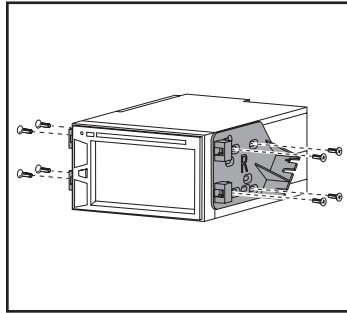
(Figure C)



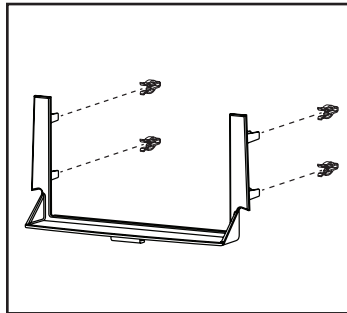
(Figure D)

## KIT ASSEMBLY

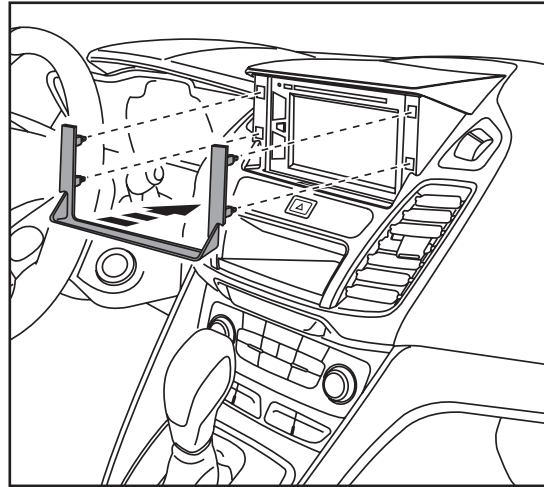
1. Attach the **radio brackets** to the radio using screws supplied with the radio. (Figure A)
2. Locate the factory wiring harness and antenna connector in the dash, and complete all necessary connections to the radio. Metra recommends using the proper mating adapter from Metra and/or AXXESS. Re-connect the negative battery terminal and test the radio for proper operation.
3. Secure the radio to the sub-dash using the factory mounting screws.
4. Install the (4) plastic panel clips to the radio trim piece. (Figure B)
5. Connect the 6-pin side of the **hazard switch harness** to the **95-5861 dash panel** and the 4-pin side of the harness into the factory radio panel plug
5. Re-assemble the dash in the reverse order of disassembly using the new dash panel.
6. Lastly, snap the radio trim panel into the dash panel. (Figure C)



(Figure A)



(Figure B)



(Figure C)

**KIT ASSEMBLY**




---

---

---

---

---

---

---

---

---

---

---

---

---

---

---

---

---

---

---

---

---

---

---

---

---

---

---

---

---

---

---

---

---

---

---

---

---

---

---

---

---

---

---

---



**95-5861**  
INSTALLATION INSTRUCTIONS



Having difficulties? We're here to help.



Contact our Tech Support line at:

**386-257-1187**



Or via email at:

[techsupport@metra-autosound.com](mailto:techsupport@metra-autosound.com)

**Tech Support Hours (Eastern Standard Time)**

Monday - Friday: 9:00 AM - 7:00 PM

Saturday: 10:00 AM - 7:00 PM

Sunday: 10:00 AM - 4:00 PM



**KNOWLEDGE IS POWER**

Enhance your installation and fabrication skills by enrolling in the most recognized and respected mobile electronics school in our industry. Log onto [www.installerinstitute.edu](http://www.installerinstitute.edu) or call 386-672-5771 for more information and take steps toward a better tomorrow.



**Metra recommends MECP  
certified technicians**