

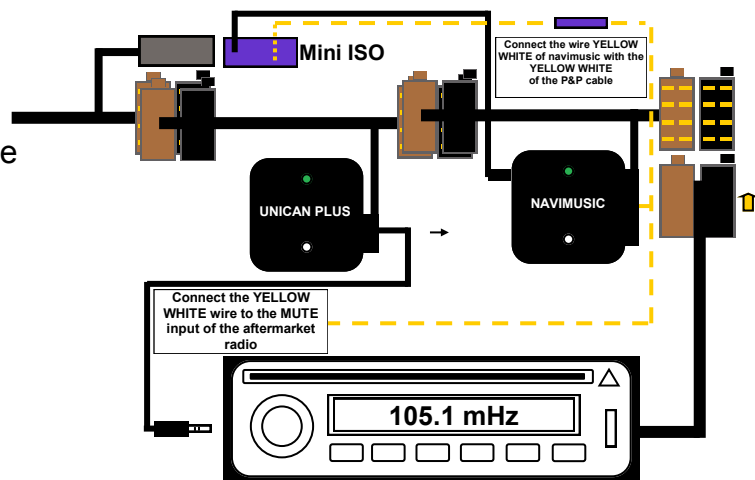
29-UC-REN1-NAV RENAULT ISO Canbus STEERING CONTROL INTERFACE WITH NAVIGATION RETENTION



Laguna III 2007>
Clio III 2009>



Connect the 29-UC-REN1-NAV to the vehicle as detailed in the diagram.



This interface will automatically turn on the navigation unit when the engine is running.

You can manually turn on the navigation unit by pressing and holding the mute button on the steering wheel.

This interface needs to be set up for the make of head unit being fitted.

Use this interface along with a head unit specific patch lead, there is a 4pin black connector at the end of 3 wires from the UNICAN interface, this is where you will need to connect the head unit patch lead.

When connected, the CANbus interface will automatically recognise the vehicle. The green LED on the interface will repeatedly flash once followed by a pause.

You will need to set the interface to the make of head unit you are fitting.

The amount of flashes between pauses corresponds to the make of head unit, see the table overleaf for the number of flashes and which make it corresponds to.

While the LED is flashing green, press the Vol +/- buttons on the cars steering wheel to change the amount of flashes between pauses, Vol + will increase the amount of flashes, Vol- will decrease the amount of flashes.

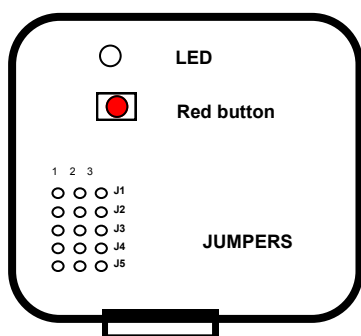
When you have the correct amount of flashes, press seek+ to confirm and the LED will go to a solid green light.

Number of flashes	Make of head unit
1	Clarion (Default)
2	Kenwood
3	JVC
4	Alpine
6	Pioneer (Set jumper)
7	Sony

Setting the jumpers

Open the box. The jumpers are on the left side of the 14 way connector

These may need to be changed depending on the head unit you are fitting or the type of outputs you require.



	1 - 2	2 - 3
J1	ALPINE - SONY OUTPUT	PIONEER OUTPUT
J2	GND BRAKE OUTPUT	POSITIVE BRAKE OUTPUT
J3	GND REVERSE OUTPUT	POSITIVE REVERSE OUTPUT
J4	BLAUPUNKT	DO NOT USE
J5	K-BUS HANDLING	CAN-BUS HANDLING

To reprogram the interface for another head unit Brand Keep the ignition on

1. Disconnect the interface from the 14 Pin connector.
2. Push the red button in and keep it pushed in.
3. Reconnect the interface to the 14 Pin connector
4. The LED will flash green then go off.
5. Release the red button .
6. The LED will flash red then green.
7. Use Vol+/- on the car to set the amount of flashes
8. Confirm selection with Seek +

To reset the interface (if installing into another vehicle)

With the interface powered, press and hold the reset button. When the LED goes off, release the reset button. The LED will go to green and the reset is complete.