



ST69CX

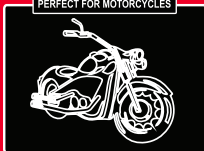
6" X 9" 2-WAY
HIGH POWER COAXSUB



125W RMS
500W MAX



PERFECT FOR MOTORCYCLES



GRILL/SPACERS INCLUDED



IP65
RATED

MANUAL

INTRODUCTION

Cerwin Vega Mobile Subwoofers

Congratulations for purchasing Cerwin Vega Mobile subwoofers for your vehicle audio system. You chose Cerwin Vega Mobile because you deserve the best!

Cerwin Vega Mobile subwoofers are design and engineered to reproduce great sound quality for many years of listening enjoyment in your vehicle! We highly recommend that your new subwoofers be installed by an authorized Cerwin Vega Mobile dealer. Your authorized dealer can professionally assemble/disassemble the interior of your vehicle and set the proper subwoofer placement for ideal sound quality.

If you decide to install the speakers by yourself, please thoroughly read this manual before getting started. This manual will help familiarize yourself with these products and guide you through the installation process and procedures.

Please contact your local authorized Cerwin Vega Mobile dealer if you have any questions regarding the instructions in this manual. If you require additional assistance, please contact the Cerwin Vega Mobile Technical Support Department during business hours at 213-261-4161.

FEATURES

- 6" X 9" 2-Way High Power MotorSport CoaXSub
- Manufactured to IPx65 Marine Grade Compliant Specifications
- 1" Extreme High Output Titanium Dome Tweeter
- UV-Treated Thermal Molded Waterproof Kevlar Cone with Rubber Surround
- 12dB Bessel Crossover Network
- Super High Energy Ferrite Motor System With Milled Aluminum Top Plate
- T-Yoke Back Plate Drilled For 35% More Cooling, Increased Power Handling
- High Temperature Cast Aluminum Basket

SPECIFICATIONS

Model	ST69CX
Nominal Diameter Inch (mm)	6 x 9 (9.5"/241.3mm)
Description	2 - Way Concentric
Nominal Impedance (Ohms)	4Ω
Frequency Response (Hz)	45-23 kHz
Kapton Voice Coil Diameter - Inch (mm)	1.4 (35.55)
Power Handling Watts (RMS/Peak)	125/500
Free Air Resonance (Hz)	46Hz
Qts	0.783
Vas - cu. ft. (Liter)	0.159 (4.5)
Sensitivity (1W/1M)	90.5 dB
Sensitivity (2.83V/1M)	93.5 dB
Xmax - inch (mm)	0.16 (4)
Mounting Diameter Inch/mm	8.875"/225.5mm X 6.125"/155.6mm
Mounting Depth Inch/mm	3.875"/98.425
Grill/Spacer Ring	Yes

INSTALLATION

Contents

- (1) Pair 6" X 9" 2-Way CoaXSub
- (8) Phillips head stainless screws
- (1) Pair Removable Black Trim Rings/grill
- (8) Phillips head stainless machine bolts/nuts/washers

Installation Considerations Before Attempting Install:

1. Be sure to carefully read and understand the instructions before attempting to install these speakers.
2. For safety, disconnect the negative battery terminal from the battery prior to beginning the installation.
3. For easier assembly, we suggest you run all wires prior to mounting speakers in place
4. Use high quality connectors for a reliable installation and to minimize signal or power loss.
5. Think before you drill! Be careful not to cut or drill into gas tanks, fuel lines, brake or hydraulic lines, vacuum lines or electrical wiring when working on any vehicle. If installation in a boat, take care not to cut or drill through the main hull.
6. Never run wires underneath the vehicle. Running the wires inside the vehicle or hull area provides the best protection.
7. Avoid running wires over or through sharp edges. Use rubber or plastic grommets to protect any wires routed through metal, especially the firewall.

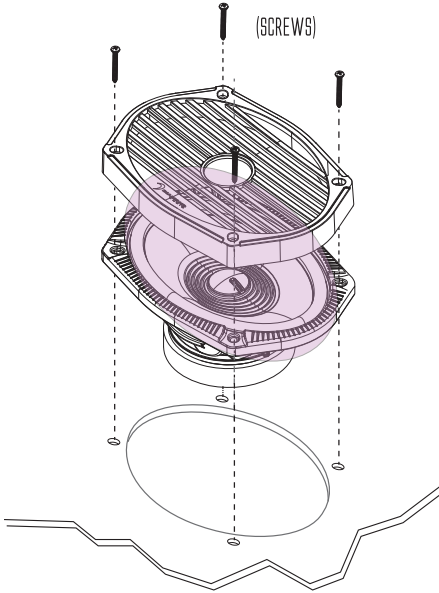
Mounting

1. Determine where the speakers will be mounted. Ensure an area large enough for the speaker to mount evenly. Be sure that the mounting location is deep enough for the speaker to fit; only mount to a flat surface. Use extra caution when mounting on panels with urethane foam.
2. Included Spacer/Grill is the template to determine the proper hole to cut for your 6 X 9 speaker model.
3. Mark the locations for the mounting screws. Drill the holes with a 1/8" bit.
4. Feed the speaker wires through the cutout and connect to the speaker terminals. Be sure to observe proper polarity when connecting the wires. The speaker's positive terminal are indicated with + and -.
5. Fit the spacer/grill ring over the speaker and mount into place using eight (8) supplied nuts, bolts and washers, or screws. Depending on installation type. See install instructions on the next page.
6. Tighten the screws until the speaker is snug in place. This is to prevent air leakage. Pay close attention to how airtight the speaker install is, as this will have a great effect on bass response.

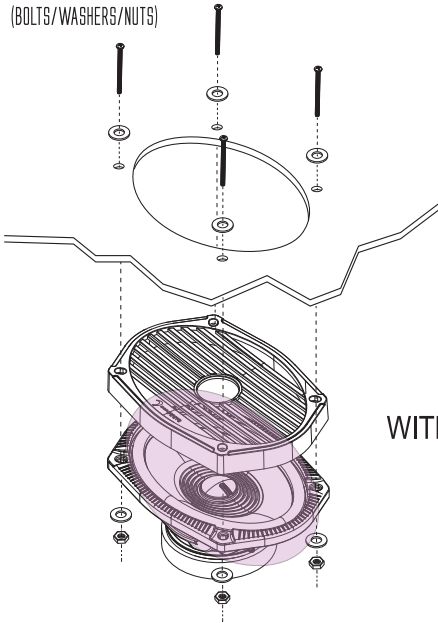
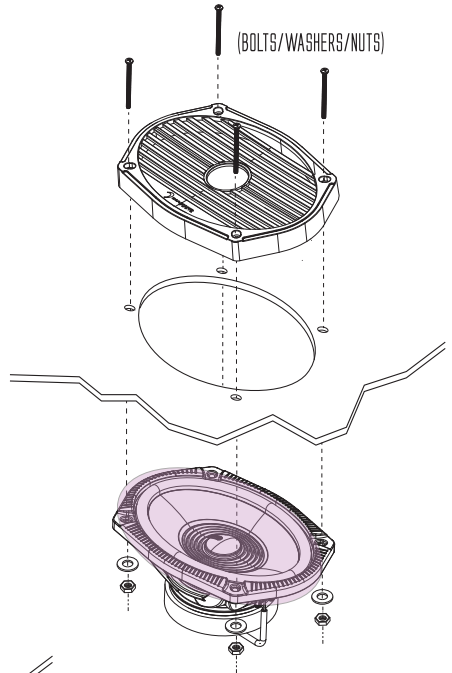
Note: You can cut the Grill and use it as a spacer.

SPEAKER MOUNTING

TOP MOUNTING GRILL/SPACER ON TOP

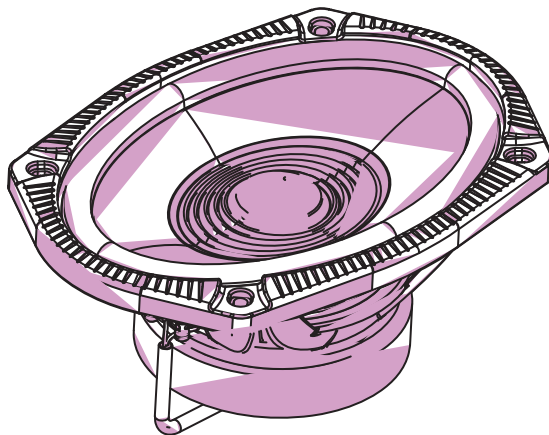
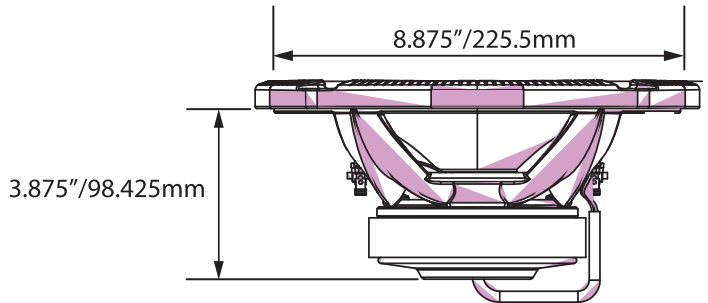
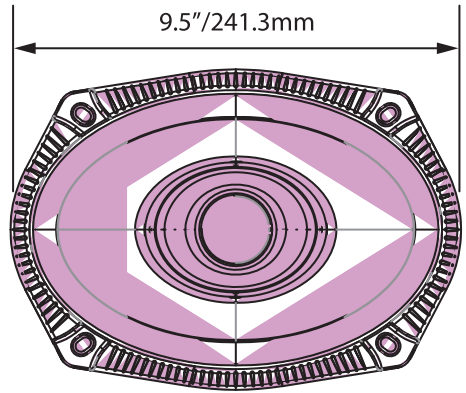
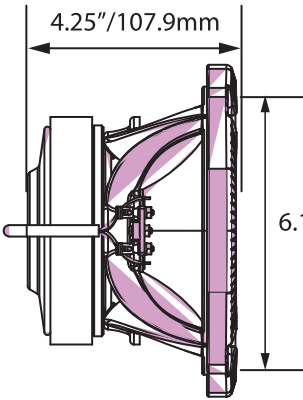


UNDER MOUNTING WITH GRILL/SPACER ON TOP



UNDER MOUNTING WITH GRILL/SPACER ON BOTTOM

ST69CX DIMENSIONS



WARRANTY

Thank you for purchasing a Cerwin Vega Mobile product and we hope to provide you with countless hours of listening enjoyment.

Please take a brief moment to register your new product. By registering your new product, you will receive benefits such as:

- Important product notifications that may pertain to your purchase.
- Confirmation and record of ownership in case of loss or theft.
- Knowledgeable customer service and technical assistance pertaining to your product.

Register your new product by completely filling out this Product and Warranty Registration card or register online at www.cerwinvegamobile.com.

Registration is voluntary and failure to register will not diminish your limited warranty rights.

Limited Warranty (U.S.A.)

Cerwin Vega Mobile warrants all of our amplifiers and speakers to be free of defects in materials and workmanship for a period of one (1) year.

This warranty is non-transferable and applies only to the original purchaser from an authorized Cerwin Vega Mobile dealer. If service is required and necessary under this warranty due to manufacturing defect or malfunction, then Cerwin Vega Mobile will repair and/or replace defective product with either new or remanufactured like product at no charge at our discretion.

Damage to product caused by the following will not be covered under this warranty: abuse, accident, misuse, neglect, modifications, repairing attempts, seller/installer misrepresentation.

This warranty does not cover any incidental, consequential, or cosmetic damage due to accidents or normal wear and tear, nor does it cover the cost of removing or reinstallation of the product.

Warranty is void if the product's serial number has been removed, defaced, and/or tampered with.

Warranty Procedure:

We recommend that you contact your Cerwin Vega Mobile authorized dealer where your original purchase was made to initiate all warranty claims. Our authorized dealers can guide you through the warranty procedure to ensure that your claim will be processed in a timely manner. All warranty returns must be accompanied with a proof of purchase (a copy of the original sales receipt) and be shipped freight prepaid to our facility with an RA (Return Authorization) number clearly marked on the outside of the package. Direct returns from consumers or non-authorized dealers will be refused if shipped without a valid RA number authorized by Cerwin Vega Mobile beforehand.

INTERNATIONAL

Products purchased outside of the U.S.A. are covered only by that country's distributor and not by Cerwin Vega Mobile U.S.A.

Please Ship All Warranty Claims With Pre-Authorized RA Number To:

CV&DA Holdings, Inc.

ATTN: Customer Service Department

3761 S. Hill St.

Los Angeles, CA 90007 USA

Please Contact Customer Service for Further Warranty Information:

U.S.A.

Tel: 213-261-4161 / Fax: 213-947-4767



3761 South Hill Street
Los Angeles 90007, USA
P 213-261-4161 / F 213-947-4767

WWW.CERWINVEGAMOBILE.COM

2019 Cerwin Vega Mobile All rights reserved.
(a division of CV & DA Holdings, Inc.)