

**KICKER**<sup>®</sup>

**CompVX**<sup>™</sup> | *Subwoofer*

**CompVX SUBWOOFER**  
**CVX10 | CVX12 | CVX15**

Owner's Manual | **English**

Manual del Propietario | **Español**  
CompVX ALTA VOZ PARA SONIDOS GRAVES

Benutzerhandbuch | **Deutsch**  
CompVX TIEFTÖNER

Manuel d'utilisation | **Française**  
CompVX HAUT-PARLEUR D'EXTRÊMES GRAVES



# CompVX Subwoofer Owner's Manual

Models: CVX10 / CVX12 / CVX15

**WARNING:** KICKER products are capable of producing sound levels that can permanently damage your hearing! Turning up a system to a level that has audible distortion is more damaging to your ears than listening to an undistorted system at the same volume level. The threshold of pain is always an indicator that the sound level is too loud and may permanently damage your hearing. Please use common sense when controlling volume.

## SPECIFICATIONS

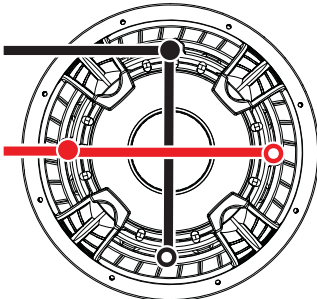
| Model                                 | CompVX10       | CompVX12      | CompVX15      |
|---------------------------------------|----------------|---------------|---------------|
| Rated Impedance [ $\Omega$ ]          | 2 or 4         | 2 or 4        | 2 or 4        |
| Fs [Hz]                               | 35.4           | 28.5          | 23.7          |
| Continuous Power Handling [Watts RMS] | 600            | 750           | 1000          |
| Sensitivity [1W, 1m]                  | 85.7           | 87.1          | 91.6          |
| Xmax (One-Way Excursion) [mm]         | .64, 16.25     | .64, 16.25    | .75, 19       |
| Re [ $\Omega$ ]                       | 3.4            | 3.7           | 4.2           |
| Qts                                   | .403           | .381          | .216          |
| Qms                                   | 10.754         | 10.098        | 7.521         |
| Qes                                   | .419           | .396          | .222          |
| Vas [ft <sup>3</sup> , L]             | .811, 22.99    | 2.04, 57.82   | 5.5, 156.71   |
| Outer Frame Dimension [in, cm]        | 10-11/16, 27.1 | 12-9/16, 31.8 | 15-7/16, 39.2 |
| Mounting Cutout [in, cm]              | 9-3/16, 23.3   | 11-1/16, 28.1 | 13-13/16, 35  |
| Mounting Depth [in, cm]               | 5-15/16, 15.1  | 6-11/16, 16.9 | 8-1/2, 21.5   |
| Frequency Response [Hz]               | 24-500         | 20-500        | 18-500        |

**Note:** All specifications and performance figures are subject to change. Please visit [www.kicker.com](http://www.kicker.com) for the most current information. To get the best performance from your new KICKER Subwoofer, we recommend using genuine KICKER Accessories and Wiring. Please allow two weeks of break-in time for the subwoofer to reach optimum performance.

## WIRING

### Parallel Wiring

Dual 2 $\Omega$  Voice Coils = 1 $\Omega$  Load  
Dual 4 $\Omega$  Voice Coils = 2 $\Omega$  Load



### Series Wiring

Dual 2 $\Omega$  Voice Coils = 4 $\Omega$  Load  
Dual 4 $\Omega$  Voice Coils = 8 $\Omega$  Load

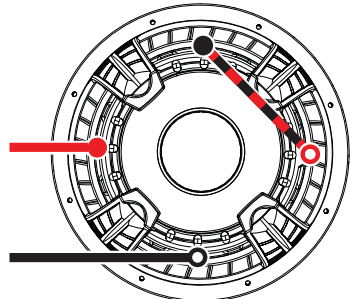


Figure 1

## SEALED ENCLOSURE APPLICATIONS

These sealed enclosure designs give the smoothest response with increased energy at the lowest frequencies, 20 to 30Hz. These designs deliver massive amounts of highly-accurate bass and can be driven with punishing levels of amplifier power.

The CompVX high performance suspension system can operate in a larger sealed enclosure. This Maximum enclosure volume application is ideal for SQ (ultra sound quality) installations. The Maximum enclosure generates a very flat response curve and superbly extends the subbass response.

### Sealed Minimum

| Model           | Volume ft <sup>3</sup> (L) | Power Handling |
|-----------------|----------------------------|----------------|
| <b>CompVX10</b> | .8 (22.7)                  | 600W RMS       |
| <b>CompVX12</b> | 1 (28.3)                   | 750W RMS       |
| <b>CompVX15</b> | 1.8 (51)                   | 1000W RMS      |

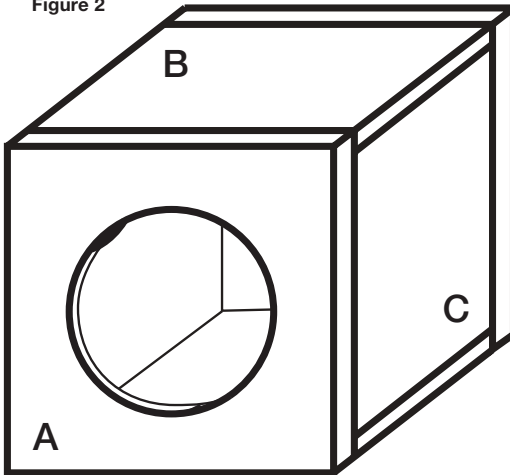
### Sealed Maximum

| Model           | Volume ft <sup>3</sup> (L) | Power Handling |
|-----------------|----------------------------|----------------|
| <b>CompVX10</b> | 3 (85)                     | 300W RMS       |
| <b>CompVX12</b> | 4.6 (130)                  | 300W RMS       |
| <b>CompVX15</b> | 5.2 (147)                  | 500W RMS       |

Panel Dimensions for Sealed Minimum enclosures using 3/4" (1.9cm) thick MDF (See **Figure 2**)

| Model           | Volume ft <sup>3</sup> (L) | Panel A in. (cm)        | Panel B in. (cm)        | Panel C in. (cm)      |
|-----------------|----------------------------|-------------------------|-------------------------|-----------------------|
| <b>CompVX10</b> | .8 (22.7)                  | 13.5X13.5 (34.3X34.3)   | 13.5X10.125 (34.3X25.7) | 12X10.125 (30.5X25.7) |
| <b>CompVX12</b> | 1 (28.32)                  | 14.5X14.5 (36.8X36.8)   | 14.5X11 (36.8X27.9)     | 13X11 (33X27.9)       |
| <b>CompVX15</b> | 1.8 (51)                   | 17.25X17.25 (43.8X43.8) | 17.25X13.5 (43.8X34.3)  | 15.75X13.5 (40X34.3)  |

Figure 2



CompVX woofers perform well in any size sealed enclosure between the Minimum and Maximum volume recommendations. These systems will exhibit benefits of both designs: Minimum produces high-impact bass, and Maximum generates low bass frequency protraction. Overall, the system will sound more like the recommended enclosure design it is closest to in enclosure volume. These enclosure recommendations have been calculated with the airspace inside the enclosure and include the displacement of the woofer. All sealed-enclosure airspace should be filled to 50% loose poly-fill (polyester fiberfill) stuffing.

## VENTED ENCLOSURE APPLICATIONS

CompVX subwoofers will handle massive amounts of power in any of the recommended enclosures, minimum or maximum. The smaller enclosures are best for use in limited-space applications. The larger recommended enclosures will yield slightly more bass at the lowest frequencies.

The Vented Minimum design increases bass efficiency and fits in many space-limited applications. Although it is the smallest recommended ported enclosure, the output from 30 to 80 Hz will be considerably higher than that of any sealed box. The Vented Maximum design has even more output in this crucial frequency band. The Vented Maximum is the largest and most efficient enclosure design.

| Vented Minimum                    | CompVX10           | CompVX12           | CompVX15          |
|-----------------------------------|--------------------|--------------------|-------------------|
| Box Volume, [ft <sup>3</sup> , L] | 1.25, 35.4         | 1.75, 49.6         | 3, 85             |
| Port Opening, [in x in, cm x cm]  | 2X10.5, 5.1X26.7   | 2.5X12.5, 6.4X31.8 | 2.75X15.5, 7X39.4 |
| Port Length, [in, cm]             | 20, 50.8           | 20, 50.8           | 25.75, 65.4       |
| Power Handling, [Watts RMS]       | 200                | 300                | 500               |
| Vented Maximum                    | CompVX10           | CompVX12           | CompVX15          |
| Box Volume, [ft <sup>3</sup> , L] | 1.75, 49.6         | 2.25, 63.7         | 5, 142            |
| Port Opening, [in x in, cm x cm]  | 2.5X10.5, 6.4X26.7 | 3X12.5, 7.6X31.8   | 3X15.5, 7.6X39.4  |
| Port Length, [in, cm]             | 20, 50.8           | 20.5, 52.1         | 22, 55.9          |
| Power Handling, [Watts RMS]       | 500                | 700                | 900               |

## BOX BUILDING NOTES

Use 3/4" (1.9cm) or thicker MDF (medium density fiberboard) and seal the joints with silicone. Use the "template" inside your CompVX's shipping carton to mark the mounting hole, then cut directly on the line. These designs need internal bracing. Add triangular bracing between each of the larger unsupported panels. See **Figure 3**.

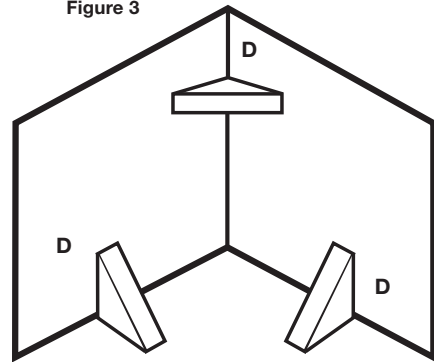
All the cubic feet (L) measurements in this manual include the displacement of the woofer. For the vented enclosures the displacement of the port must be calculated and added to the internal volume of the final design.

Use the outer dimensions of the port and multiply "X x Y x Z", then convert to cubic feet. For example, the **CompVX12** Vented Minimum design's external port dimensions are, using 3/4" (1.9cm) MDF:

$$(12.5" + 1.5" \text{ total MDF wall thickness}) \times (2.5" + 1.5" \text{ total MDF wall thickness}) \times (20") \times (1 \text{ ft}^3 / 1728 \text{ in}^3) = .65 \text{ ft}^3,$$

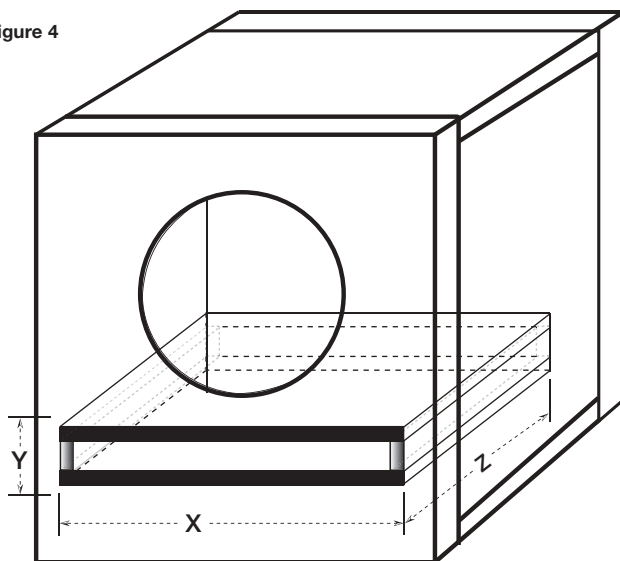
Then, add this number to the internal volume of the enclosure.  $1.75 \text{ ft}^3 + .65 \text{ ft}^3 = 2.4 \text{ ft}^3$ . See **Figure 4**.

Figure 3



**D = 3" x 3" for CVX15, CVX12**  
**D = 2" x 2" for CVX10**

Figure 4



Due to the necessary length of these ports, you may want to fold the port along the bottom and back walls. It will be impractical to use round ports for these designs.

Do not install a port opening against a solid surface, such as an internal brace, back-panel or trunk wall, seat or interior panel of your vehicle. The port opening must remain unobstructed. Use the smallest dimension of the rectangular port as the minimum amount of space between the port opening and any solid surface to insure unrestricted airflow.

If you prefer an ultra-smooth bass response, you should loosely fill your CompVX enclosure with poly-fill stuffing. Vented designs will require covering the end of the port (located inside the box) with grill cloth, chicken wire, or expanded metal to prevent the poly-fill from exiting the port. The use of poly-fill will slightly decrease efficiency, but will deepen and extend the low frequency output.

For more advice on box building, refer to your Authorized KICKER Dealer, or click on the Support tab on the KICKER homepage, [www.kicker.com](http://www.kicker.com). Please e-mail [support@kicker.com](mailto:support@kicker.com) or call Technical Support at (405) 624-8583 for specific or unanswered questions.

**Sound Check:** *Poor bass response?* Check the system phasing by reversing the positive and negative speaker connections on the subwoofer. If the bass improves, then the subwoofer was out of phase in reference to the rest of the audio system.

**Note:** All specifications and performance figures are subject to change. Please visit [www.kicker.com](http://www.kicker.com) for the most current information. To get the best performance from your new KICKER Subwoofer, we recommend using genuine KICKER Accessories and Wiring. Please allow two weeks of break-in time for the subwoofer to reach optimum performance.

If mounting in trunk space or other compartments of the vehicle, pay attention to cable lines, trunk springs, hinges and seat mechanisms that could cause problems with the operation of the vehicle or stereo system. Carefully lay the stereo system cables; pay attention to seat fasteners and other items that could harm the cables.

**Modelos: CVX10 / CVX12 / CVX15**

**ADVERTENCIA:** ¡Los productos KICKER son capaces de producir niveles de sonido que pueden dañar su oído permanentemente! Subir el volumen en un sistema a un nivel que distorsiona el sonido es más dañino para sus oídos que escuchar un sistema que no se distorsiona al mismo nivel de sonido. El umbral del dolor es siempre un indicador de que el nivel del sonido es muy alto y puede dañar permanentemente su audición. Utilice el sentido común cuando controle el volumen.

### ESPECIFICACIONES

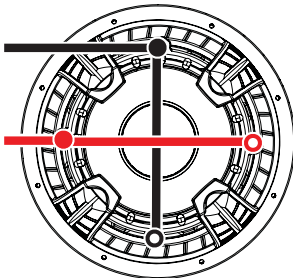
| Modelo:                                  | CompVX10        | CompVX12       | CompVX15       |
|--|-----------------|----------------|----------------|
| Impedancia nominal [ $\Omega$ ]          | 2 ó 4           | 2 ó 4          | 2 ó 4          |
| Fs [Hz]                                  | 35.4            | 28.5           | 23.7           |
| Manejo de potencia continua [RMS vatios] | 600             | 750            | 1000           |
| Sensibilidad [1W, 1m]                    | 85.7            | 87.1           | 91.6           |
| Xmax (Lineal Excursión) [mm]             | .64, 16.25      | .64, 16.25     | .75, 19        |
| Re [ $\Omega$ ]                          | 3.4             | 3.7            | 4.2            |
| Qms                                      | 10.754          | 10.098         | 7.521          |
| Qes                                      | .419            | .396           | .222           |
| Qts                                      | .403            | .381           | .216           |
| Vas [ft <sup>3</sup> , L]                | .811 (22.99)    | 2.04 (57.82)   | 5.5 (156.71)   |
| Dimensión externa de bastidor [pul., cm] | 10-11/16 (27.1) | 12-9/16 (31.8) | 15-7/16 (39.2) |
| Profundidad de instalación [pul., cm]    | 5-15/16 (15.1)  | 6-11/16 (16.9) | 8-1/2 (21.5)   |
| Recorte de instalación [pul., cm]        | 9-3/16 (23.3)   | 11-1/16 (28.1) | 13-13/16 (35)  |
| Respuesta de frecuencia [Hz]             | 24-500          | 20-500         | 18-500         |

**Nota:** Todas las especificaciones y cifras de rendimiento están sujetas a cambios. Visite [www.kicker.com](http://www.kicker.com) para obtener la información más reciente. Para obtener el mejor rendimiento de su nuevo Subwoofer KICKER, recomendamos usar accesorios y cables genuinos de KICKER. Deje pasar dos semanas para que el subwoofer logre su rendimiento óptimo.

### CABLEADO

#### Cableado en paralelo

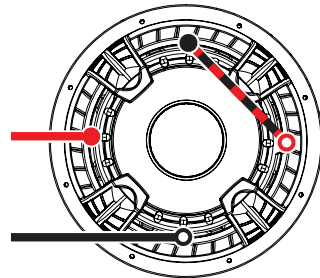
Doble bobina de voz de 2  $\Omega$  = Carga de 1  $\Omega$   
Doble bobina de voz de 4  $\Omega$  = Carga de 2  $\Omega$



#### Figura 1

#### Cableado en serie

Doble bobina de voz de 2  $\Omega$  = Carga de 4  $\Omega$   
Doble bobina de voz de 4  $\Omega$  = Carga de 8  $\Omega$



## APLICACIONES DE CAJA SELLADA

El CompVX genera más presión de sonido que los subwoofers competidores en el mercado, y sobresale cuando se usa en las cajas selladas recomendadas. Estos diseños de cajas selladas brindan la respuesta más refinada con una energía incrementada en las frecuencias más bajas, de 20 a 30Hz. Estos diseños ofrecen cantidades masivas de graves altamente precisos y se pueden conducir con niveles de sanción de la potencia amplificadora.

El sistema de suspensión de alto desempeño del CompVX puede funcionar en cajas selladas más grandes. Esta aplicación de volumen máximo de la caja es ideal para instalaciones SQ (calidad ultrasónica). Las cajas Maximum generan una curva de respuesta sumamente plana y extienden soberbiamente la respuesta del sub-grave.

### Sellado Minimum

| Modelo          | Volumen, pies <sup>3</sup> (L) | Procesamiento de potencia |
|-----------------|--------------------------------|---------------------------|
| <b>CompVX10</b> | .8 (22.7)                      | 600W RMS                  |
| <b>CompVX12</b> | 1 (28.3)                       | 750W RMS                  |
| <b>CompVX15</b> | 1.8 (51)                       | 1000W RMS                 |

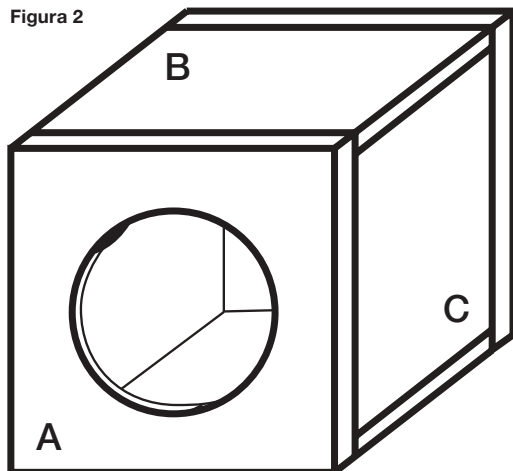
### Sellado Maximum

| Modelo          | Volumen, pies <sup>3</sup> (L) | Procesamiento de potencia |
|-----------------|--------------------------------|---------------------------|
| <b>CompVX10</b> | 3 (85)                         | 300W RMS                  |
| <b>CompVX12</b> | 4.6 (130)                      | 300W RMS                  |
| <b>CompVX15</b> | 5.2 (147)                      | 500W RMS                  |

Dimensiones del panel para las cajas selladas mínimas recomendadas con MDF de 3/4 de plg. (1.9cm):

| Modelo          | Volumen, pies <sup>3</sup> (L) | Panel A, plg (cm)       | Panel B, plg (cm)       | Panel C, plg (cm)     |
|-----------------|--------------------------------|-------------------------|-------------------------|-----------------------|
| <b>CompVX10</b> | .8 (22.7)                      | 13.5X13.5 (34.3X34.3)   | 13.5X10.125 (34.3X25.7) | 12X10.125 (30.5X25.7) |
| <b>CompVX12</b> | 1 (28.32)                      | 14.5X14.5 (36.8X36.8)   | 14.5X11 (36.8X27.9)     | 13X11 (33X27.9)       |
| <b>CompVX15</b> | 1.8 (51)                       | 17.25X17.25 (43.8X43.8) | 17.25X13.5 (43.8X34.3)  | 15.75X13.5 (40X34.3)  |

Figura 2



Los woofers CompVX se desempeñan bien en cualquier tamaño de caja sellada entre las recomendaciones CompVXact y volumen Maximum. Estos sistemas mostrarán beneficios de ambos diseños: CompVXact produce un grave de alto impacto, y Maximum genera una prolongación de frecuencia de los graves. En general, el sistema sonará más como el diseño de caja recomendada al que esté más cercano al volumen de su caja. Estas recomendaciones de la caja se han calculado con el espacio aéreo dentro de la caja, e incluyen el desplazamiento del woofer. Todo el espacio aéreo de la caja sellada deberá de llenarse al 50% con relleno holgado de poly-fil (fibra de relleno de poliéster).

## APLICACIONES DE CAJAS VENTILADAS

Estas cajas son la caja de elección para los concursos escandalosos de graves en la calle y para los SPL de alto desempeño. Si el espacio no es un problema y usted desea obtener más de su CompVX, pruebe uno de estos diseños de salida. No se sentirá decepcionado. Los subwoofers de CompVX manejarán cantidades masivas de potencia en cualquiera de las cajas recomendadas, mínimas o máximas. Las cajas pequeñas son mejores para usarse en aplicaciones de espacios limitados. Las cajas más grandes recomendadas rendirán ligeramente más graves en las frecuencias más bajas.

El diseño Minimum ventilado aumenta la eficiencia de los graves y se ajusta a muchas aplicaciones de espacio limitado. Aún cuando es la caja con orificios más pequeña recomendada, la salida desde los 30 a los 80 Hz será considerablemente más alta que cualquier caja sellada. El diseño Maximum ventilado tiene incluso mucho más salida en esta banda de frecuencia crucial. El diseño ventilado Maximum es el diseño de caja más eficiente y más grande.

| Ventilada Minimum                         | CompVX10            | CompVX12            | CompVX15           |
|---|---------------------|---------------------|--------------------|
| Caja Volumen, pies <sup>3</sup> (L)       | 1.25 (35.4)         | 1.75 (49.6)         | 3 (85)             |
| La apertura del puerto, in x in (cm x cm) | 2X10.5 (5.1X26.7)   | 2.5X12.5 (6.4X31.8) | 2.75X15.5 (7X39.4) |
| Puerto de Longitud, in (cm)               | 20 (50.8)           | 20 (50.8)           | 25.75 (65.4)       |
| Procesamiento de potencia, RMS            | 200                 | 300                 | 500                |
| Ventilada Maximum                         | CompVX10            | CompVX12            | CompVX15           |
| Caja Volumen, pies <sup>3</sup> (L)       | 1.75 (49.6)         | 2.25 (63.7)         | 5 (142)            |
| La apertura del puerto, in x in (cm x cm) | 2.5X10.5 (6.4X26.7) | 3X12.5 (7.6X31.8)   | 3X15.5 (7.6X39.4)  |
| Puerto de Longitud, in (cm)               | 20 (50.8)           | 20.5 (52.1)         | 22 (55.9)          |
| Procesamiento de Potencia, RMS            | 500                 | 700                 | 900                |

## NOTAS DE CONSTRUCCIÓN DE CAJA

Utilice un MDF (panel de fibra de densidad media) de 3/4" (1,9cm) o de mayor espesor y selle las uniones con silicón. Utilice la "plantilla" dentro del cartón de empaque de su CompVX para marcar el orificio de montaje; luego, corte directamente sobre la línea. Estos diseños necesitan refuerzos internos. Añada refuerzos triangulares entre cada uno de los paneles no soportados. Vea la **Figura 3**.

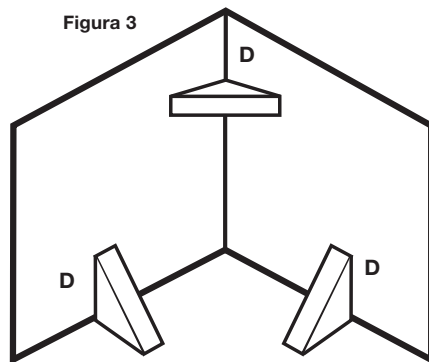
Todas las medidas de pies cúbicos (L) en este manual, incluyen el desplazamiento del woofer. Para las cajas ventiladas, se debe calcular el desplazamiento del puerto, y añadirlo al volumen interno del diseño final. Use las dimensiones externas del Puerto y multiplíquelas "X x Y x Z", y luego haga la conversión a pies cúbicos. Por ejemplo, las dimensiones del puerto externo del diseño de **CompVX12** Minimum Ventilado son, utilizando 3/4" (1,9cm) MDF:

$(12,5" + 1,5" \text{ grosor total de la pared MDF}) \times (2,5" + 1,5" \text{ grosor total de la pared MDF}) \times (20") \times (1 \text{ pie}^3 / 1728 \text{ pulg}^3) = 0,65 \text{ pie}^3$ ,

Luego, añada este número al volumen interno de la caja.  $1,75 \text{ pie}^3 + 0,65 \text{ pie}^3 = 2,4 \text{ pie}^3$ . Ver la **Figura 4**.

8

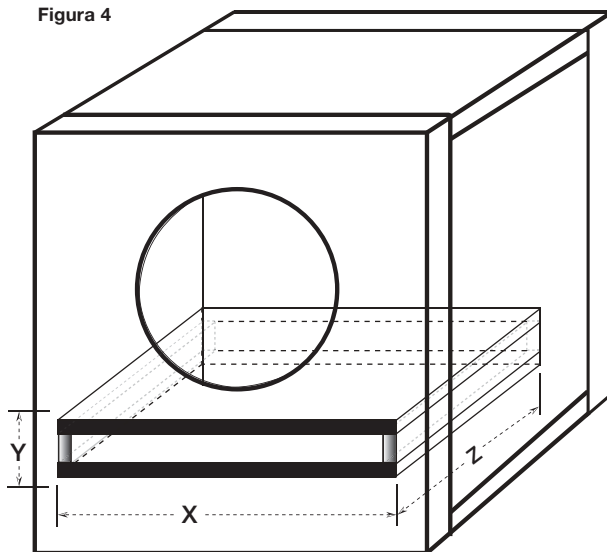
Figura 3



**D = 3 x 3 plg para CVX15, CVX12**  
**D = 2 x 2 plg para CVX10**



Figura 4



Debido al largo necesario de estos puertos, usted puede desear doblar el Puerto a lo largo de las paredes del fondo y la trasera. Sería impráctico usar puertos redondos para estos diseños. No instale una abertura de puerto contra una superficie sólida, tal como un refuerzo interno, un panel trasero, o una pared de cajuela, de asiento o del panel interior de su vehículo. La abertura del puerto debe permanecer despejada. Utilice la dimensión más pequeña del puerto rectangular como la cantidad mínima de espacio entre la abertura del puerto y cualquier superficie sólida para garantizar el flujo de aire ilimitado.

Si prefiere una respuesta de graves ultra refinada, deberá rellenar holgadamente su caja CompVX con relleno poly-fil. Los diseños ventilados requerirán que se cubra el extremo del puerto (ubicado dentro de la caja) con una tela de rejilla, malla de alambre, o metal expandido, para evitar que se salga el relleno de poly-fil del puerto existente. El uso del poly-fil disminuirá ligeramente la eficiencia, pero profundizará y extenderá la frecuencia baja de salida.

Para obtener más consejos sobre construcción de cajas, haga clic en la lengüeta SUPPORT de la página web de KICKER, [www.kicker.com](http://www.kicker.com). Si tiene preguntas específicas comuníquese con Servicios Técnicos en correo electrónico a [support@kicker.com](mailto:support@kicker.com).

**Sound Check:** *¿Una respuesta reducida del bajo? El sistema del cheque que sincroniza invirtiendo una conexión de altavoz de positivo a negativo en el canal de estéreo altavoz para sonidos graves (los canales); si el bajo mejora, el altavoz era fuera de fase.*

**Nota:** Todas las especificaciones y cifras de rendimiento están sujetas a cambios. Visite [www.kicker.com](http://www.kicker.com) para obtener la información más reciente. Para obtener el mejor rendimiento de su nuevo Subwoofer KICKER, recomendamos usar accesorios y cables genuinos de KICKER. Deje pasar dos semanas para que el subwoofer logre su rendimiento óptimo.

**Modelle:** CVX10 / CVX12 / CVX15

**WARNUNG:** KICKER-Produkte können einen Schallpegel erzeugen, der zu permanenten Gehörschäden führen kann! Wenn Sie ein System auf einen Pegel stellen, der hörbare Verzerrungen erzeugt, schadet das Ihren Ohren mehr, als ein nicht verzerrtes System auf dem gleichen Lautstärkepegel. Die Schmerzschwelle ist immer ein Anzeichen dafür, dass der Schallpegel zu laut ist und zu permanenten Gehörschäden führen kann. Seien Sie bei der Lautstärkeeinstellung bitte vernünftig.

### TECHNISCHE DATEN

| Modell  | CompVX10        | CompVX12       | CompVX15       |
|---|-----------------|----------------|----------------|
| Nennimpedanz [ $\Omega$ ]                     | 2 oder 4        | 2 oder 4       | 2 oder 4       |
| Resonanzfrequenz (Fs) [Hz]                    | 35,4            | 28,5           | 23,7           |
| Dauerbelastbarkeit [Watt RMS]                 | 600             | 750            | 1000           |
| Empfindlichkeit [1W, 1m]                      | 85,7            | 87,1           | 91,6           |
| Xmax (Lineare Auslenkung) [mm]                | ,64, 16,25      | ,64, 16,25     | ,75, 19        |
| Re [ $\Omega$ ]                               | 3,4             | 3,7            | 4,2            |
| Gesamt-Dämpfung (Qts)                         | ,403            | ,381           | ,216           |
| Mechanische Dämpfung (Qms)                    | 10,754          | 10,098         | 7,521          |
| Elektrische Dämpfung (Qes)                    | ,419            | ,396           | ,222           |
| Äquivalentvolumen (Vas) [ft <sup>3</sup> , L] | ,811 (22,99)    | 2,04 (57,82)   | 5,5 (156,71)   |
| Äußere Rahmenabmessungen [in, cm]             | 10-11/16 (27,1) | 12-9/16 (31,8) | 15-7/16 (39,2) |
| Montagetiefe [in, cm]                         | 5-15/16 (15,1)  | 6-11/16 (16,9) | 8-1/2 (21,5)   |
| Montageausschnitt [in, cm]                    | 9-3/16 (23,3)   | 11-1/16 (28,1) | 13-13/16 (35)  |
| Frequenzgang [Hz]                             | 24-500          | 20-500         | 18-500         |

**Hinweis:** Alle technischen Daten und Leistungsangaben vorbehaltlich Änderungen. Bitte besuchen Sie [www.kicker.com](http://www.kicker.com) für die aktuellsten Informationen. Um die beste Leistung aus Ihrem KICKER Subwoofer herauszuholen, sollten Sie Original-Zubehörteile und Kabel von KICKER verwenden. Nach etwa zwei Wochen erreicht der Subwoofer seine optimale Leistung.

### VERKABELUNG

#### Paralleler Anschluss

Doppelte  $2\Omega = 1\Omega$  Lastwiderstand  
Doppelte  $4\Omega = 2\Omega$  Lastwiderstand

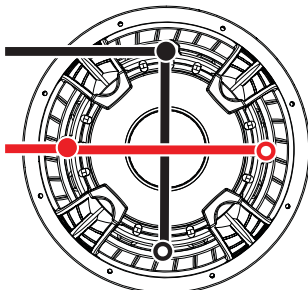
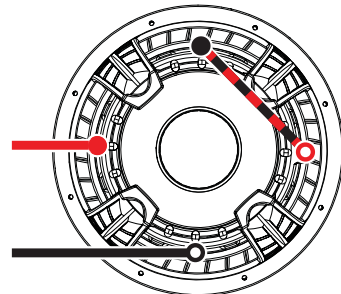


Abbildung 1

#### Reihenanschluss

Doppelte  $2\Omega = 4\Omega$  Lastwiderstand  
Doppelte  $4\Omega = 8\Omega$  Lastwiderstand



## BASSBOXEN MIT GESCHLOSSENEM GEHÄUSE

Die CompVX erzeugen mehr Schalldruck als die Subwoofer anderer Anbieter, die es auf dem Markt gibt und liefern bei Nutzung der empfohlenen geschlossenen Boxen hervorragende Leistungen. Diese geschlossenen Gehäuseformen erbringen das beste Ergebnis bei optimaler Abstrahlung niedrigster Frequenzen mit 20 bis 30 Hz. Diese Bauformen ermöglichen ein sattes Volumen an hochpräzisen Basstönen und können hohe Verstärkerleistungen verarbeiten.

Das Hochleistungs-Aufhängungssystem des CompVX kann in einem größeren geschlossenen Gehäuse betrieben werden. Diese Gehäuseform mit dem größtmöglichen Volumen ist ideal für Installationen mit SQ (Ultraschallqualität)geeignet. Das Maximum-Gehäuse erzeugt eine sehr flache Abstrahlungskurve und unterstützt somit optimal die Abstrahlung von Subbässen.

### Geschlossene Kompakt

| Modell          | Volumen L | Belastbarkeit |
|-----------------|-----------|---------------|
| <b>CompVX10</b> | 22,7 L    | 600W RMS      |
| <b>CompVX12</b> | 28,3 L    | 750W RMS      |
| <b>CompVX15</b> | 51 L      | 1000W RMS     |

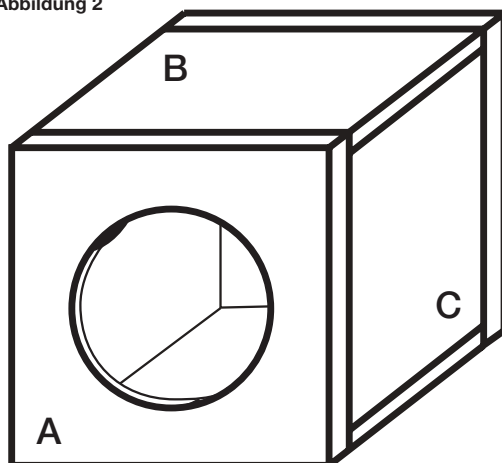
### Geschlossene Maximum

| Modell          | Volumen L | Belastbarkeit |
|-----------------|-----------|---------------|
| <b>CompVX10</b> | 85 L      | 300W RMS      |
| <b>CompVX12</b> | 130 L     | 300W RMS      |
| <b>CompVX15</b> | 147 L     | 500W RMS      |

Plattengrößen für GeschlosseneGehäuseKompakt mit 1,9 cm dicken Faserplatten: (Siehe **Abbildung 2**)

| Modell          | Volumen L | Platte A, cm | Platte B, cm | Platte C, cm |
|-----------------|-----------|--------------|--------------|--------------|
| <b>CompVX10</b> | 22,7      | 34,3X34,3    | 34,3X25,7    | 30,5X25,7    |
| <b>CompVX12</b> | 28,32     | 36,8X36,8    | 36,8X27,9    | 33X27,9      |
| <b>CompVX15</b> | 51        | 43,8X43,8    | 43,8X34,3    | 40X34,3      |

Abbildung 2



CompVX-Woofers erbringen in geschlossenen Gehäusen jeder Größe optimale Leistungen, von Kompaktgrößen bis hin zu den empfohlenen Größen für Maximum-Volumen. Diese Systeme vereinigen jeweils die Vorteile verschiedener Gehäusegrößen: Die Kompaktgröße strahlt starke Basstöne ab und Maximum produziert eine durchgehende Frequenz von tiefen Bässen. Insgesamt wird das System im Klang eher dem Gehäusedesign nahekommen, das einem größeren Volumen entspricht. Diese Gehäuseempfehlungen wurden unter Einbeziehung des Luftraumes innerhalb des Gehäuses berechnet und berücksichtigen auch ein Versetzen des Woofers. Der Luftraum in völlig abgeschlossenen Gehäusen sollte zu 50% mit loser Polyester-Füllwolle aufgefüllt werden.

## BOXEN MIT VENTILIERTEM GEHÄUSE

Das sind die Boxen mit Gehäusen erster Wahl für durchschlagenden Straßenbass und Hochleistungs-SPL-Wettbewerbe. Wenn es keine Platzprobleme gibt und Sie die optimale Leistung aus Ihrem Cop herausholen wollen, probieren Sie eine dieser Port-Bauformen aus. Sie werden nicht enttäuscht sein. CompVX Subwoofer verarbeiten in jedem der empfohlenen Gehäuse, egal ob in Minimal- oder Maximalausstattung, enorme Mengen an Verstärkerleistung. Die kleineren Gehäuse eignen sich am besten bei begrenztem Platzangebot. Die größeren empfohlenen Gehäuse strahlen etwas mehr Bassvolumen bei den tiefsten Frequenzen ab.

| Ventilierte Kompakt   | CompVX10 | CompVX12 | CompVX15 |
|-----------------------|----------|----------|----------|
| Gehäuse Volumen, L    | 35,4     | 49,6     | 85       |
| Port Öffnung, cm x cm | 5,1X26,7 | 6,4X31,8 | 7X39,4   |
| Port Länge, cm        | 50,8     | 50,8     | 65,4     |
| Belastbarkeit, RMS    | 200      | 300      | 500      |
| Ventilierte Maximum   | CompVX10 | CompVX12 | CompVX15 |
| Gehäuse Volumen, L    | 49,6     | 63,7     | 142      |
| Port Öffnung, cm x cm | 6,4X26,7 | 7,6X31,8 | 7,6X39,4 |
| Port Länge, cm        | 50,8     | 52,1     | 55,9     |
| Belastbarkeit, RMS    | 500      | 700      | 900      |

Das ventilierte Kompaktdesign verstärkt die Wirkung der Bässe und passt bei vielen Anwendungen mit begrenztem Platzangebot. Wenngleich es das kleinste der empfohlenen Port-Gehäuse ist, wird die Ausgangsleistung bei 30 bis 80 Hz deutlich höher sein als bei jedem geschlossenen Gehäuse. Das ventilierte Maximum-Design bietet noch mehr Ausgangsleistung in diesem äußerst wichtigen Frequenzband. Das „Vented Maximum“ ist das größte und wirksamste Gehäusedesign.

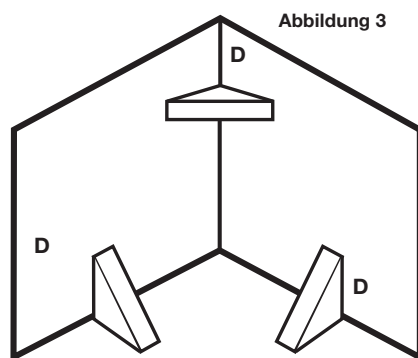
## HINWEISE ZUM BOXEN-AUFBAU

Verwenden Sie eine mindestens 1,9 cm dicke mittelfeste Spanplatte und dichten Sie die Verbindungsstellen mit Silikon ab. Nutzen Sie die „Schablone“, die Sie im Versandkarton Ihres CompVXs finden, um das Montageloch anzuzeichnen und schneiden Sie es dann genau entlang der Linien aus.

Diese Bauformen müssen von innen her abgestützt werden. Fügen Sie dreieckige Abstützungen zwischen allen größeren, nicht abgestützten Paneelen ein. Siehe **Abbildung 3**.

Alle Maße, die in dieser Anleitung in Kubikfuß (L) angegeben sind, rechnen eine Verschiebung des Woofers mit ein. Für ventilierte Gehäuse muss die Verschiebung des Ports gesondert berechnet und zum Innenvolumen des endgültigen Designs hinzugefügt werden.

Nutzen Sie die Außenabmessungen des Ports und multiplizieren Sie „X x Y x Z“, dann rechnen Sie die Zahl in Kubikfuß um. Zum Beispiel beim Design **CompVX12** Vented Minimum werden die externen Portabmessungen mit einer 1,9 cm dicken mittelfesten Spanplatte folgendermaßen berechnet:

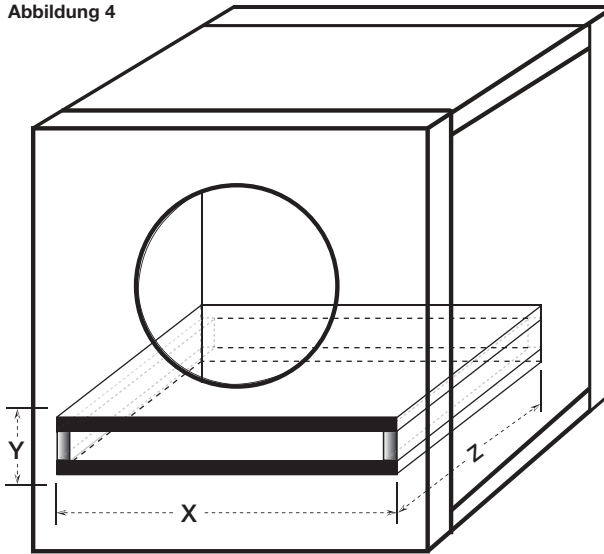


**D = 8cm x 8cm für CVX15, CVX12**  
**D = 5cm x 5cm für CVX10**

(12,5" + 1,5" Gesamtwanddicke der MDF) x (2,5" + 1,5" Gesamtwanddicke der MDF) x (20") x (1 Fuß<sup>3</sup> / 1728 Zoll<sup>3</sup>) = 0,65 Fuß<sup>3</sup>

Diese Zahl addieren Sie zum Innenvolumen des Gehäuses. 1,75 Fuß<sup>3</sup> + 0,65 Fuß<sup>3</sup> = 2,4 Fuß<sup>3</sup>. Siehe **Abbildung 4**.

**Abbildung 4**



Aufgrund der benötigten Länge dieser Ports können Sie die Ports eventuell entlang des Bodens und der Rückwände anbringen. Es wäre unpraktisch, für diese Designs runde Ports zu verwenden.

Achten Sie darauf, dass Portöffnungen nicht auf festen Flächen wie etwa Innenabstützungen, Rückpanelen oder Rumpfwänden, dem Fahrzeugsitz oder einem Innenpanel Ihres Fahrzeugs anliegen. Die Portöffnung muss unbehindert zugänglich bleiben. Nehmen Sie die kleinste Größe des rechteckigen Ports als Maßstab für den Mindestplatzbedarf zwischen der Portöffnung und jeglicher Art von fester Oberfläche, um eine ungehinderte Luftzufuhr zu gewährleisten.

Wenn Sie eine ultra-weiche Wiedergabe der Bässe bevorzugen, sollten Sie Ihr CompVX-Gehäuse mit Polyester-Füllwatte auffüllen. Bei ventilierten Designs wird man dabei das Ende des Ports (das sich innerhalb der Box befindet) mit einem Metallgitter, feinem Maschendraht oder einer Lochmetallplatte abdecken müssen, um zu verhindern, dass die Polyester-Füllung austritt. Der Einsatz des Polyester-Füllmaterials wird geringfügig die Effizienz verringern, doch er wird die Ausgabe niedriger Frequenzen vertiefen und erweitern.

Weitere Hinweise zum Gehäusebau erhalten Sie, wenn Sie auf der KICKER-Internetseite ([www.kicker.com](http://www.kicker.com)) auf SUPPORT klicken. Wenn Sie immer noch offene oder spezifische Fragen haben, können Sie den technischen Kundendienst unter [support@kicker.com](mailto:support@kicker.com) erreichen.

**Sound Check:** *Zu wenig Bass? Prüfen Sie Systemdurchführen schrittweise durch Umkehren einer Sprecherverbindung von positiv zu negativ auf dem Stereo oder subwoofer. Wenn der Bass verbessert, war der Lautsprecher nicht in richtiger Phase.*

**Hinweis:** Alle technischen Daten und Leistungsangaben vorbehaltlich Änderungen. Bitte besuchen Sie **[www.kicker.com](http://www.kicker.com)** für die aktuellsten Informationen. Um die beste Leistung aus Ihrem KICKER Subwoofer herauszuholen, sollten Sie Original-Zubehörteile und Kabel von KICKER verwenden. Nach etwa zwei Wochen erreicht der Subwoofer seine optimale Leistung.

**Modèles :** CVX10 / CVX12 / CVX15

**AVERTISSEMENT :** Les haut-parleurs KICKER ont la capacité de produire des niveaux sonores pouvant endommager l'ouïe de façon irréversible ! L'augmentation du volume d'un système jusqu'à un niveau présentant une distorsion audible endommage davantage l'ouïe que l'écoute d'un système sans distorsion au même volume. Le seuil de la douleur est toujours le signe que le niveau sonore est trop élevé et risque d'endommager l'ouïe de façon irréversible. Réglez le volume en faisant preuve de bon sens.

### PERFORMANCES

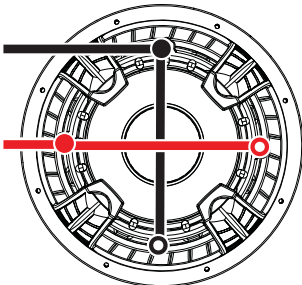
| Modèle :                                 | CompVX10        | CompVX12       | CompVX15       |
|--|-----------------|----------------|----------------|
| Impédance nominale [ $\Omega$ ]          | 2 ou 4          | 2 ou 4         | 2 ou 4         |
| Fs [Hz]                                  | 35,4            | 28,5           | 23,7           |
| Puissance continue [Watts RMS]           | 600             | 750            | 1000           |
| Sensibilité [1W, 1m]                     | 85,7            | 87,1           | 91,6           |
| Xmax (Excursion Linéaire) [mm]           | ,64, 16,25      | ,64, 16,25     | ,75, 19        |
| Re [ $\Omega$ ]                          | 3,4             | 3,7            | 4,2            |
| Qts                                      | ,403            | ,381           | ,216           |
| Qms                                      | 10,754          | 10,098         | 7,521          |
| Qes                                      | ,419            | ,396           | ,222           |
| Vas [pied <sup>3</sup> ; L]              | ,811 (22,99)    | 2,04 (57,82)   | 5,5 (156,71)   |
| Dimensions externes du boîtier [po ; cm] | 10-11/16 (27,1) | 12-9/16 (31,8) | 15-7/16 (39,2) |
| Profondeur du montage [po ; cm]          | 5-15/16 (15,1)  | 6-11/16 (16,9) | 8-1/2 (21,5)   |
| Découpe de montage [po ; cm]             | 9-3/16 (23,3)   | 11-1/16 (28,1) | 13-13/16 (35)  |
| Réponse en fréquence [Hz]                | 24-500          | 20-500         | 18-500         |

**NOTA:** Nous nous réservons le droit de modifier les spécifications et les performances indiquées ici. Consultez notre site [www.kicker.com](http://www.kicker.com) pour obtenir les informations les plus récentes. Pour tirer le meilleur parti du Subwoofer KICKER, nous conseillons d'utiliser des accessoires et des câbles KICKER d'origine. Comptez deux semaines de rodage pour que le subwoofer atteigne des performances optimales

### CÂBLAGE

#### Câblage en parallèle

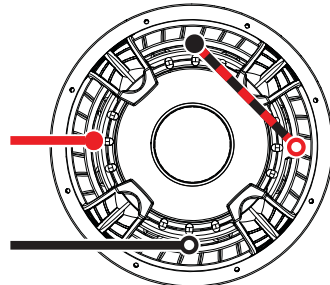
Doubles bobines de  $2\Omega$  = charge de  $1\Omega$   
 Doubles bobines de  $4\Omega$  = charge de  $2\Omega$



#### Diagramme 1

#### Câblage en série

Doubles bobines de  $2\Omega$  = charge de  $4\Omega$   
 Doubles bobines de  $4\Omega$  = charge de  $8\Omega$



## ENCEINTES CLOSES

Le modèle CompVX génère plus de pression sonore que les autres subwoofers sur le marché et excelle lorsqu'il est utilisé dans les caissons clos recommandés. Ces modèles d'enceinte close donnent la réponse la plus uniforme possible avec une énergie accrue aux fréquences les plus basses, à savoir entre 20 et 30 Hz. Ces modèles offrent d'immenses quantités de basses ultra-précises et peuvent être utilisés avec de très hauts niveaux d'amplification.

Le système de suspension hautes performances du CompVX permet une utilisation dans des caissons clos de grandes dimensions. Ce volume d'enceinte maximal est idéal pour les installations SQ (qualité sonore supérieure). Le caisson Maximum produit une courbe de réponse très plate et permet d'étendre considérablement les extrêmes graves.

### Minimum Clos

| Modèle :        | Volume pied au cube (L) | Puissance admissible |
|-----------------|-------------------------|----------------------|
| <b>CompVX10</b> | ,8 (22,7)               | 600W RMS             |
| <b>CompVX12</b> | 1 (28,3)                | 750W RMS             |
| <b>CompVX15</b> | 1,8 (51)                | 1000W RMS            |

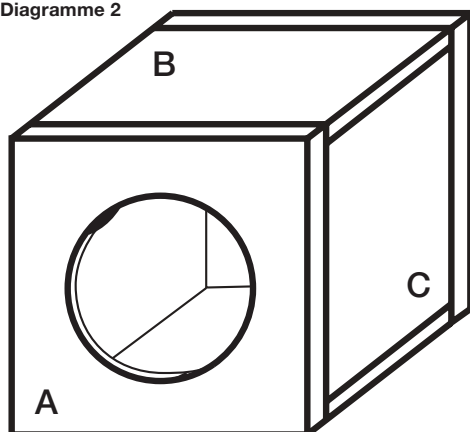
### Maximum Clos

| Modèle :        | Volume pied au cube (L) | Puissance admissible |
|-----------------|-------------------------|----------------------|
| <b>CompVX10</b> | 3 (85)                  | 300W RMS             |
| <b>CompVX12</b> | 4,6 (130)               | 300W RMS             |
| <b>CompVX15</b> | 5,2 (147)               | 500W RMS             |

Dimensions de panneau pour enceintes hermétiques avec carton dur de densité moyenne d'une épaisseur de 1,9 cm (voir la **Diagramme 2**)

| Modèle :        | Volume pied au cube (L) | Panneau A pouce (cm)    | Panneau B pouce (cm)    | Panneau C pouce (cm)  |
|-----------------|-------------------------|-------------------------|-------------------------|-----------------------|
| <b>CompVX10</b> | ,8 (22,7)               | 13,5X13,5 (34,3X34,3)   | 13,5X10,125 (34,3X25,7) | 12X10,125 (30,5X25,7) |
| <b>CompVX12</b> | 1 (28,32)               | 14,5X14,5 (36,8X36,8)   | 14,5X11 (36,8X27,9)     | 13X11 (33X27,9)       |
| <b>CompVX15</b> | 1,8 (51)                | 17,25X17,25 (43,8X43,8) | 17,25X13,5 (43,8X34,3)  | 15,75X13,5 (40X34,3)  |

Diagramme 2



Les woofers de CompVX offrent également de bonnes performances dans tout caisson clos dont la taille est comprise entre les recommandations de volume des modèles Minimum et Maximum. Ces systèmes présentent les avantages des deux modèles : le modèle Minimum produit des graves à fort impact et le modèle Maximum une protraction dans les fréquences extrêmes graves. Globalement, le son du système ressemble beaucoup à celui du type de caisson dont il se rapproche le plus en termes de volume. Ces recommandations de caissons ont été calculées par rapport au volume d'air interne au caisson et comprennent le déplacement du woofer. Tous les caissons clos doivent être remplis à 50 % de rembourrage en poly-fil (fibre de polyester) non tassé.

## ENCEINTES AÉRÉES

Ces enceintes constituent les caissons idéaux pour des graves extrêmes et les concours SPL où des performances élevées sont indispensables. Si l'espace n'est pas un problème et que vous souhaitez tirer le maximum de votre CompVX, essayez l'un de ces modèles à ports. Vous ne serez pas déçu(e). Les subwoofers CompVX traitent des quantités gigantesques de puissance dans toutes les enceintes recommandées, minimum ou maximum. Les enceintes plus petites sont préférables pour une utilisation dans un espace restreint. Les enceintes recommandées plus grandes offrent légèrement plus de graves aux fréquences les plus basses.

| Minimum aéré                              | CompVX10            | CompVX12            | CompVX15           |
|---|---------------------|---------------------|--------------------|
| Volume de Caisson, ft <sup>3</sup> (L)    | 1,25 (35,4)         | 1,75 (49,6)         | 3 (85)             |
| Port D'ouverture, pouce x pouce (cm x cm) | 2X10,5 (5,1X26,7)   | 2,5X12,5 (6,4X31,8) | 2,75X15,5 (7X39,4) |
| Port Longueur, pouce (cm)                 | 20 (50,8)           | 20 (50,8)           | 25,75 (65,4)       |
| Puissance admissible, RMS                 | 200                 | 300                 | 500                |
| Maximum aéré                              | CompVX10            | CompVX12            | CompVX15           |
| Volume de Caisson, ft <sup>3</sup> (L)    | 1,75 (49,6)         | 2,25 (63,7)         | 5 (142)            |
| Port D'ouverture, pouce x pouce (cm x cm) | 2,5X10,5 (6,4X26,7) | 3X12,5 (7,6X31,8)   | 3X15,5 (7,6X39,4)  |
| Port Longueur, pouce (cm)                 | 20 (50,8)           | 20,5 (52,1)         | 22 (55,9)          |
| Puissance admissible, RMS                 | 500                 | 700                 | 900                |

Le modèle Minimum aéré accroît l'efficacité des graves et convient à une utilisation dans de nombreux espaces restreints. Bien qu'il s'agisse de l'enceinte à ports recommandée de la plus petite taille, le rendement entre 30 et 80 Hz sera bien plus élevé que celui de tout caisson clos. Le modèle Maximum aéré offre un rendement encore plus élevé dans cette bande de fréquences cruciale. Le Maximum aéré est le modèle de caisson le plus grand et le plus efficace.

### NOTES POUR LE CAISSONNAGE

Utilisez un panneau de fibres à moyenne densité (MDF) d'une épaisseur de 3/4" / 1,9 cm et scellez les joints avec de la silicone. Utilisez le « modèle » situé à l'intérieur du carton d'expédition de votre CompVX pour marquer le tracé de montage, puis découpez directement la ligne. Ces designs nécessitent de placer des renforts à l'intérieur du caisson. Ajoutez un renfort triangulaire entre chacun des grands panneaux non soutenus. Voir **Diagramme 3**.

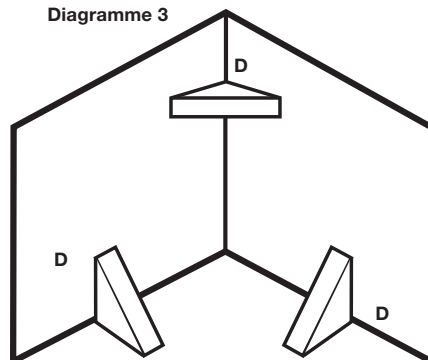
Toutes les mesures (L) en pieds cubiques de ce manuel incluent le déplacement du woofer. Pour les enceintes aérées, le déplacement du port doit être calculé et ajouté au volume interne du design final.

Utilisez les dimensions externes du port et effectuez la multiplication « X x Y x Z », puis convertissez le résultat en pieds cubiques. Par exemple, en utilisant une MDF épaisse de 3/4" / 1,9 cm, les dimensions du port externe du design Minimum aéré du **CompVX12** sont :

(Épaisseur totale paroi MDF 12,5" + 1,5") x (épaisseur totale paroi MDF 2,5" + 1,5") x (20") x (1 pied<sup>3</sup> / 1728"³) = 0,65 pied<sup>3</sup>.

Ajoutez ensuite ce nombre au volume interne de l'enceinte. 1,75 pied<sup>3</sup> + 0,65 pied<sup>3</sup> = 2,4 pieds<sup>3</sup>. Voir **Diagramme 4**.

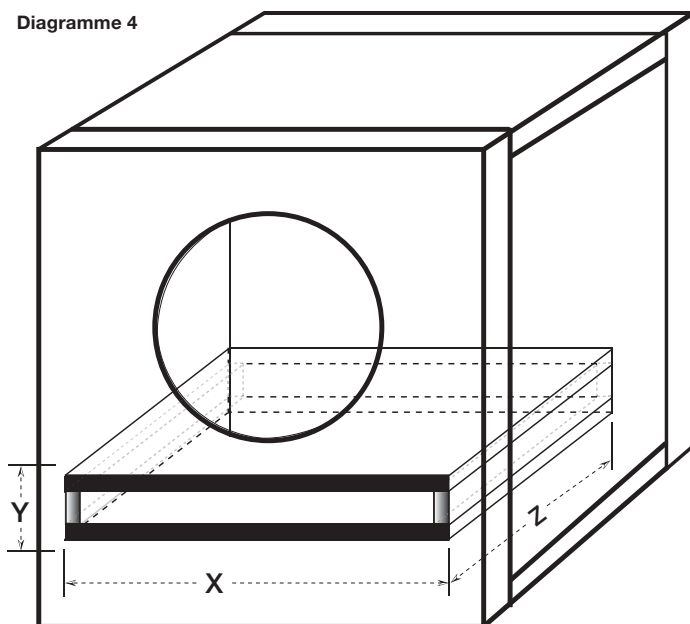
Diagramme 3



**D = 8 x 8cm pour CVX15, CVX12**  
**D = 5 x 5cm pour CVX10**



Diagramme 4



En raison de la longueur nécessaire de ces ports, il peut être souhaitable de plier le port le long des parois du fond et arrière. Il n'est pas possible d'utiliser des ports ronds pour ces designs.

N'installez pas l'ouverture d'un port contre une surface solide, comme un renfort interne, un panneau arrière ou une paroi du coffre, un siège ou un panneau intérieur de votre véhicule. L'ouverture du port ne doit pas être obstruée. Utilisez la plus petite dimension du port rectangulaire comme espace minimal entre l'ouverture du port et toute surface solide pour garantir que l'air circule librement.

Si vous préférez une réponse de graves la plus uniforme possible, il vous est conseillé de remplir votre enceinte CompVX avec du rembourrage en poly-fil non tassé. Les designs aérés nécessitent de couvrir l'extrémité du port (situé à l'intérieur du caisson) avec un grill-cloth, un grillage ou du métal déployé pour éviter que le poly-fil ne sorte par le port. L'utilisation de poly-fil réduira légèrement l'efficacité mais approfondira et étendra le rendement à basse fréquence.

Pour obtenir d'autres conseils sur la construction du caisson, cliquez sur l'onglet SUPPORT de la page d'accueil KICKER, [www.kicker.com](http://www.kicker.com). Si vous avez d'autres questions, [support@kicker.com](mailto:support@kicker.com) d'e-mail.

**Sound Check:** *Faible réponse des graves? Permutez les connexions positives et négatives haut-parleur sur les canaux stéréo / aïsson de basse; s'il y a l'amélioration des graves, c'était le haut-parleur, qui a été hors phase.*

**NOTA:** Nous nous réservons le droit de modifier les spécifications et les performances indiquées ici. Consultez notre site [www.kicker.com](http://www.kicker.com) pour obtenir les informations les plus récentes. Pour tirer le meilleur parti du Subwoofer KICKER, nous conseillons d'utiliser des accessoires et des câbles KICKER d'origine. Comptez deux semaines de rodage pour que le subwoofer atteigne des performances optimales

## ACOUSTICS LIMITED WARRANTY

When purchased from an Authorized KICKER Dealer, KICKER warrants this product to be free from defects in material and workmanship under normal use for a period of ONE (1) YEAR from date of original purchase. If this product is identified as "Refurbished" or "B Goods", the warranty is limited to a period of THREE (3) MONTHS from date of original purchase. In all cases you must have the original receipt. Should service be necessary under this warranty for any reason due to manufacturing defect or malfunction during the warranty period, KICKER will repair or replace (at its discretion) the defective merchandise with equivalent merchandise. Warranty replacements may have cosmetic scratches and blemishes. Discontinued products may be replaced with more current equivalent products. This warranty is valid only for the original purchaser and is not extended to owners of the product subsequent to the original purchaser. Any applicable implied warranties are limited in duration to a period of the express warranty as provided herein beginning with the date of the original purchase at retail, and no warranties, whether express or implied, shall apply to this product thereafter. Some states do not allow limitations on implied warranties; therefore, these exclusions may not apply to you. This warranty gives you specific legal rights; however you may have other rights that vary from state to state.

### WHAT TO DO IF YOU NEED WARRANTY OR SERVICE:

Defective merchandise should be returned to your local Authorized Stillwater Designs (KICKER) Dealer for warranty service. Assistance in locating an Authorized Dealer can be found at [www.kicker.com](http://www.kicker.com) or by contacting Stillwater Designs directly. You can confirm that a dealer is authorized by asking to see a current authorized dealer window decal.

If it becomes necessary for you to return defective merchandise directly to Stillwater Designs (KICKER), call the KICKER Customer Service Department at (405) 624-8510 for a Return Merchandise Authorization (RMA) number. Package only the defective items in a package that will prevent shipping damage, and return to:

**Stillwater Designs, 3100 North Husband St, Stillwater, OK 74075**

The RMA number must be clearly marked on the outside of the package. Please return only defective component systems. The return of functioning items increases your return freight charges. Non-defective items will be returned freight collect to you. For example, if a subwoofer is defective, only return the defective subwoofer, not the entire enclosure. Include a copy of the original receipt with the purchase date clearly visible, and a "proof-of-purchase" statement listing the Customer's name, Dealer's name and invoice number, and product purchased. Warranty expiration on items without proof-of-purchase will be determined from the type of sale and manufacturing date code. Freight must be prepaid; items sent freight-collect, or COD, will be refused.

### WHAT IS NOT COVERED?

This warranty is valid only if the product is used for the purpose for which it was designed. It does not cover:

- o Damage due to improper installation
- o Subsequent damage to other components
- o Damage caused by exposure to moisture, excessive heat, chemical cleaners, and/or UV radiation
- o Damage through negligence, misuse, accident or abuse.
- o Repeated returns for the same damage may be considered abuse
- o Any cost or expense related to the removal or reinstallation of product
- o Speakers damaged due to amplifier clipping or distortion
- o Items previously repaired or modified by any unauthorized repair facility
- o Return shipping on non-defective items
- o Products with tampered or missing barcode labels
- o Products with tampered or missing serial numbers
- o Products returned without a Return Merchandise Authorization (RMA) number
- o Products purchased from an UNAUTHORIZED dealer
- o Freight Damage
- o The cost of shipping product to KICKER
- o Service performed by anyone other than KICKER

 **stillwater designs**

NOTE: All specifications and performance figures are subject to change. Please visit the [www.kicker.com](http://www.kicker.com) for the most current information.



## HOW LONG WILL IT TAKE?

KICKER strives to maintain a goal of one-week service for all acoustics (subwoofers, midrange drivers, tweeters, crossovers, etc) returns. Delays may be incurred if lack of replacement inventory or parts is encountered. Failure to follow these steps may void your warranty. Any questions can be directed to the KICKER Customer Service Department at (405) 624-8510. Contact your International KICKER dealer or distributor concerning specific procedures for your country's warranty policies.

## INTERNATIONAL WARRANTY

Contact your International KICKER dealer or distributor concerning specific procedures for your country's warranty policies.

Our goods come with guarantees that cannot be excluded under the **Australian Consumer Law**. You are entitled to a replacement or refund for a major failure and for compensation for any other reasonably foreseeable loss or damage. You are also entitled to have the goods repaired or replaced if the goods fail to be of acceptable quality and the failure does not amount to a major failure.

## GARANTÍA INTERNACIONAL *Versión Español*

Comuníquese con su concesionario o distribuidor KICKER internacional para obtener información sobre procedimientos específicos relacionados con las normas de garantía de su país.

La frase "combustible para vivir la vida Livin' Loud™ a todo volumen" se refiere al entusiasmo por la vida que la marca KICKER de estéreos de automóvil representa y a la recomendación a nuestros clientes de que vivan lo mejor posible ("a todo volumen") en todo sentido. La línea de altavoces y amplificadores KICKER es la mejor del mercado de audio de automóviles y por lo tanto representa el "combustible" para vivir a todo volumen en el área de "estéreo de automóvil" de la vida de nuestros clientes. Recomendamos a todos nuestros clientes que obedezcan todas las reglas y reglamentos locales sobre ruido en cuanto a los niveles legales y apropiados de audición fuera del vehículo.

## INTERNATIONALE GARANTIE *Deutsche Version*

Nehmen Sie mit Ihren internationalen KICKER-Fachhändler oder Vertrieb Kontakt auf, um Details über die Garantieleistungen in Ihrem Land zu erfahren.

Der Slogan "Treibstoff für Livin' Loud" bezieht sich auf die mit den KICKER-Autostereosystemen assoziierte Lebensfreude und die Tatsache, dass wir unsere Kunden ermutigen, in allen Aspekten ihres Lebens nach dem Besten ("Livin' Loud") zu streben. Die Lautsprecher und Verstärker von KICKER sind auf dem Markt für Auto-Soundsysteme führend und stellen somit den "Treibstoff" für das Autostereoerlebnis unserer Kunden dar. Wir empfehlen allen unseren Kunden, sich bezüglich der zugelassenen und passenden Lautstärkepegel außerhalb des Autos an die örtlichen Lärmvorschriften zu halten.

## GARANTIE INTERNATIONALE *Version Française*

Pour connaître les procédures propres à la politique de garantie de votre pays, contactez votre revendeur ou distributeur International KICKER.

AVERTISSEMENT: Les haut-parleurs KICKER ont la capacité de produire des niveaux sonores pouvant endommager l'ouïe de façon irréversible ! L'augmentation du volume d'un système jusqu'à un niveau présentant une distorsion audible endommage davantage l'ouïe que l'écoute d'un système sans distorsion au même volume. Le seuil de la douleur est toujours le signe que le niveau sonore est trop élevé et risque d'endommager l'ouïe de façon irréversible. Réglez le volume en faisant preuve de bon sens!

L'expression " carburant pour vivre plein pot " fait référence au dynamisme de la marque KICKER d'équipements audio pour véhicules et a pour but d'encourager nos clients à faire le maximum (" vivre plein pot ") dans tous les aspects de leur vie. Les haut-parleurs et amplificateurs KICKER sont les meilleurs dans le domaine des équipements audio et représentent donc pour nos clients le " carburant pour vivre plein pot " dans l'aspect " installation audio de véhicule " de leur vie. Nous encourageons tous nos clients à respecter toutes les lois et réglementations locales relatives aux niveaux sonores acceptables à l'extérieur des véhicules.





©2016 Stillwater Designs

